



## Percy Sweater

Designer: Martin Storey

Main image page 15

### SIZE

|              | S   | M   | L   | XL  | XXL |    |
|--------------|-----|-----|-----|-----|-----|----|
| To fit chest | 102 | 107 | 112 | 117 | 122 | cm |
|              | 40  | 42  | 44  | 46  | 48  | in |

### YARN

Rowan Cashsoft 4 Ply

14 15 16 17 18 x 50gm

(photographed in Arran 456)

### NEEDLES

1 pair 2¼mm (no 12) (US 2) needles

1 pair 3¼mm (no 10) (US 3) needles

### TENSION

28 sts and 36 rows to 10 cm measured over patt using 3¼mm (US 3) needles.

### BACK

Using 2¼mm (US 2) needles cast on 154 [162: 170: 178: 190] sts.

**Row 1 (RS):** K2, \*P2, K2, rep from \* to end.

**Row 2:** P2, \*K2, P2, rep from \* to end.

These 2 rows form rib.

Work in rib for a further 30 rows, inc [inc: inc: inc: dec] 1 st at centre of last row and ending with RS facing for next row.

155 [163: 171: 179: 189] sts.

Change to 3¼mm (US 3) needles.

Now work in patt as follows:

**Row 1 (RS):** K0 [0: 2: 0: 0], P2 [0: 2: 2: 1], (K4, P2) 10 [11: 11: 12: 13] times, work next 31 sts as row 1 of chart, (P2, K4) 10 [11: 11: 12: 13] times, P2 [0: 2: 2: 1], K0 [0: 2: 0: 0].

**Row 2:** P62 [66: 70: 74: 79], work next 31 sts as row 2 of chart, P62 [66: 70: 74: 79].

These 2 rows set the sts – central 31 sts in patt from chart and rem sts in textured patt.

Repeating the 44 row chart patt rep throughout, cont as set until back meas 42 [43: 42: 43: 42] cm, ending with RS facing for next row.

### Shape armholes

Keeping patt correct, cast off 10 sts at beg of next 2 rows.

135 [143: 151: 159: 169] sts.

Dec 1 st at each end of next 7 [5: 3: 3: 3] rows, then on foll 3 [3: 3: 2: 1] alt rows, then on 3 foll 4th rows.

109 [121: 133: 143: 155] sts.

Cont straight until armhole meas 22 [23: 24: 25: 26] cm, ending with RS facing for next row.

### Shape shoulders and back neck

Cast off 11 [13: 14: 16: 18] sts at beg of next 2 rows.

87 [95: 105: 111: 119] sts.

**Next row (RS):** Cast off 11 [13: 14: 16: 18] sts, patt until there are 14 [16: 19: 20: 21] sts on right needle and turn, leaving rem sts on a holder.

Work each side of neck separately.

Cast off 4 sts at beg of next row.

Cast off rem 10 [12: 15: 16: 17] sts.

With RS facing, rejoin yarn to rem sts, cast off centre 37 [37: 39: 39: 41] sts, patt to end.

Complete to match first side, reversing shapings.

### FRONT

Work as given for back until 50 [50: 52: 52: 54] rows less have been worked than on back to beg of shoulder shaping, ending with RS facing for next row.

### Divide for front opening

**Next row (RS):** Patt 52 [58: 64: 69: 75] sts and turn, leaving rem sts on a holder.

Work each side of neck separately.

Work 28 rows, ending with **WS** facing for next row.

### Shape neck

Keeping patt correct, cast off 10 sts at beg of next row.

42 [48: 54: 59: 65] sts.

Dec 1 st at neck edge of next 5 rows, then on foll 3 [3: 4: 4: 5] alt rows, then on 2 foll 4th rows. 32 [38: 43: 48: 53] sts.

Work 1 row, ending with RS facing for next row.

### Shape shoulder

Cast off 11 [13: 14: 16: 18] sts at beg of next and foll alt row.

Work 1 row.

Cast off rem 10 [12: 15: 16: 17] sts.

With RS facing, slip centre 5 sts onto a holder, rejoin yarn to rem sts, patt to end.

Complete to match first side, reversing shapings.

### SLEEVES

Using 2¼mm (US 2) needles cast on 66 [66: 70: 70: 74] sts.

Work in rib as given for back for 32 rows, inc 0 [1: 0: 1: 0] st at

each end of last row and ending with RS facing for next row.  
 66 [68: 70: 72: 74] sts.  
 Change to 3¼mm (US 3) needles.  
 Now work in textured patt as folls:

**Row 1 (RS):** K2 [3: 0: 0: 0], P2 [2: 0: 1: 2], \*K4, P2, rep from \* to last 2 [3: 4: 5: 0] sts, K2 [3: 4: 4: 0], P0 [0: 0: 1: 0].

**Row 2:** Purl.

These 2 rows form patt.

Cont in patt, shaping sides by inc 1 st at each end of next [next: 3rd: 3rd: 3rd] and every foll 4th [4th: 6th: 6th: 6th] row to 78 [72: 114: 108: 102] sts, then on every foll 6th [6th: 8th: 8th: 8th] row until there are 112 [114: 116: 118: 120] sts, taking inc sts into patt.

Cont straight until sleeve meas 49 [51: 53: 55: 57] cm, ending with RS facing for next row.

**Shape top**

Keeping patt correct, cast off 10 sts at beg of next 2 rows.

92 [94: 96: 98: 100] sts.

Dec 1 st at each end of next 5 rows, then on foll 3 alt rows, then on 5 foll 4th rows. 66 [68: 70: 72: 74] sts.

Work 1 row, ending with RS facing for next row.

Dec 1 st at each end of next and every foll alt row until 52 sts rem, then on foll 7 rows, ending with RS facing for next row. 38 sts.

Cast off 5 sts at beg of next 2 rows.

Cast off rem 28 sts.

**MAKING UP**

Press as described on the information page.

Join both shoulder seams using back stitch, or mattress stitch if preferred.

**Left front band**

Slip 5 sts left on holder at base of opening onto 2¼mm (US 2) needles and rejoin yarn with RS facing.

Work in g st until band, when slightly stretched, fits up left front opening edge to neck shaping, ending with RS facing for

next row.

Break yarn and leave sts on a holder.

Slip stitch band in place.

**Right front band**

Using 2¼mm (US 2) needles cast on 5 sts.

Work in g st until band, when slightly stretched, fits up right front opening edge to neck shaping, ending with RS facing for next row.

Do NOT break yarn.

Slip stitch band in place, sewing cast-on edge in place behind left front band at base of opening.

**Collar**

With RS facing and using 2¼mm (US 2) needle, K across 5 sts of right front band, rejoin yarn and pick up and knit 36 [36: 38: 38: 40] sts up right side of neck, 46 [46: 48: 48: 50] sts from back, and 36 [36: 38: 38: 40] sts down left side of neck, then K across 5 sts of left front band. 128 [128: 134: 134: 140] sts.

**Row 1 (RS of collar, WS of body):** K9, \*P2, K4, rep from \* to last 5 sts, K5.

**Row 2:** K5, P to last 5 sts, K5.

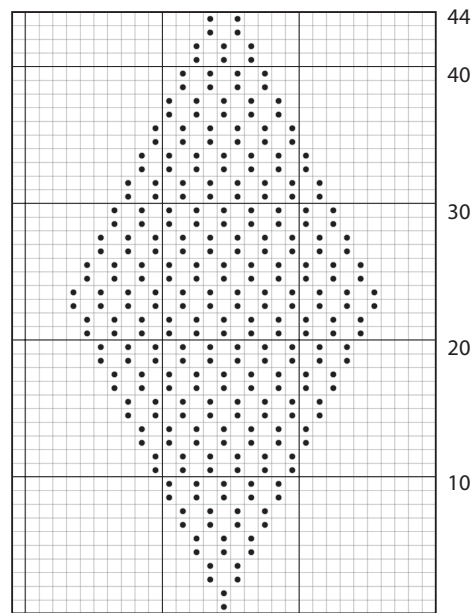
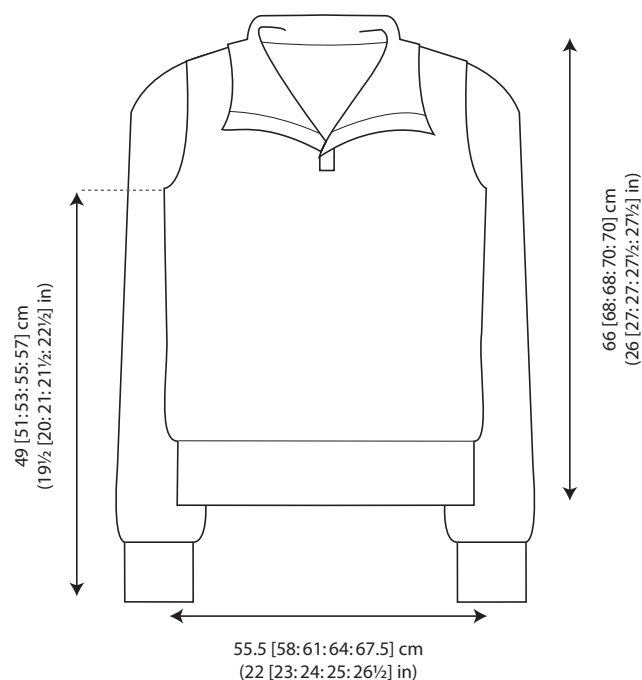
These 2 rows form patt.

Cont in patt until collar meas 12 cm from pick-up row, ending with **WS** of collar facing for next row.

Work in g st for 2 rows, ending with **WS** facing for next row.

Cast off knitwise (on **WS**).

See information page for finishing instructions, setting in sleeves using the set-in method.



**Key**

□ = K on RS, P on WS

▣ = P on RS, K on WS